

Product Datasheet

LED Flood-Light Luminaire



Areas of applications

- Clubs, hotels, stages.
- Facades.
- Mosques, museums.
- Outdoor Applications.

Product Features

- Luminaire efficacy up to 130 Lm/W.
- Life time 50 K hours (L80).
- Class I Protection.
- Ingress of Protection: IP66.
- Failure rate less than 10%

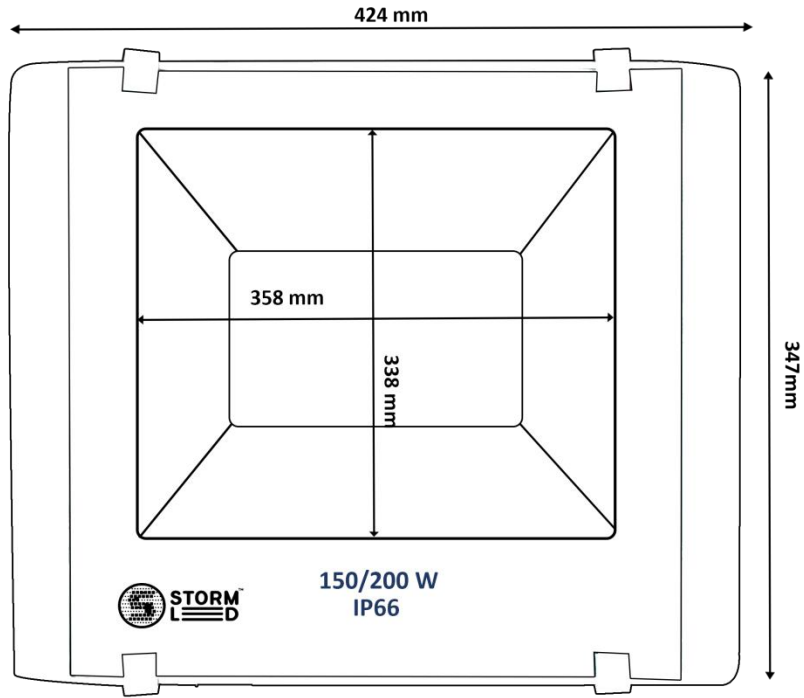


Technical Data

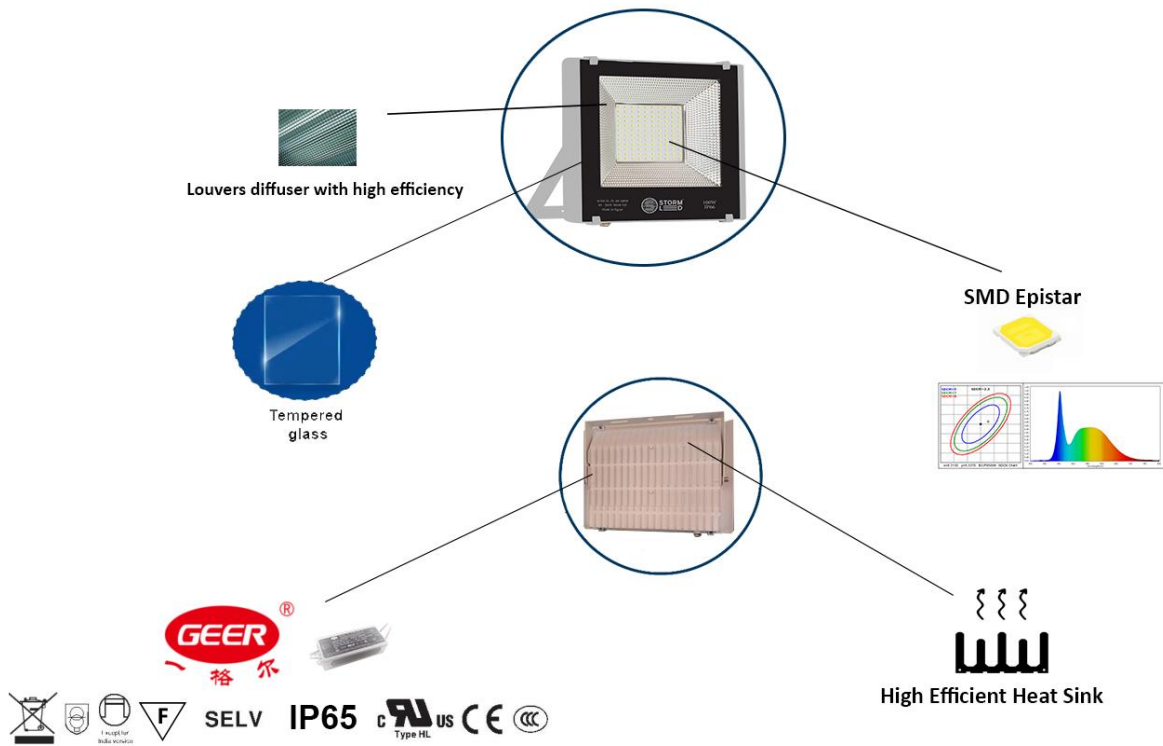
Manufacture	AL HODA Electric (Storm LED)
Input Power	150 W
Input Voltage Range	85 – 277 V
Power Factor	>=0.97
Input Current	< 1 A
Total Harmonic Distortion (THD)	<=10%
Frequency Range	50-60 HZ
Driver	Gear LED Driver
Driver Efficiency	90%
Luminaire Efficacy	125 ~ 135 Lm/W
LED Type	Epistar 2835
Output Lumen	18750~20250 LM
Color Rendering Index (CRI)	Ra>=75%
Color Temperature (CCT)	6500° K
SDCM	1-3 Steps
Beam Angle	120°
Ambient Temperature&Humidity	-30°C to 55°C 20% to 95%
Protection	Over Voltage Protection Under Voltage Protection Over Load Protection Surge Protection 6 KV Over Temperature Protection
Ingress of Protection	IP66
Fixture Weight	3.7 Kg
Order	SOM-SL-FL-09-150W

All values typical unless otherwise stated (tolerance +/- 5%) @25°C

Dimensions



SOM-SL-FL-09-150W



Contact US

- **Alhoda Electric Factory and administration building.**

Block IXQ, Third Industrial zone A1, 10th of Ramadan, Sharqia, Egypt.

Tel: +20 55 4411096

Fax: +5 (5) 441 0734

Customer Service: +2 (0) 106 567 7999

+2 (0) 100 767 0179

+2 (0) 106 016 6689

+2 (0) 105 086 1336

Email: sales@stormelectric.org

- **Our showroom:**

Egyptian center 1, Exhibition 58, Jordanian square, 10th of Ramadan, Sharqia, Egypt.

Tel: +5 (5) 436 1394

Customer Service: +20 100 666 1498

+20 102 287 3111

Email: sales@stormelectric.org



<http://www.facebook.com/StormElectricEg>



<http://www.linkedin.com/company/70401773/>



<http://www.instagram.com/stormelectriceg/>