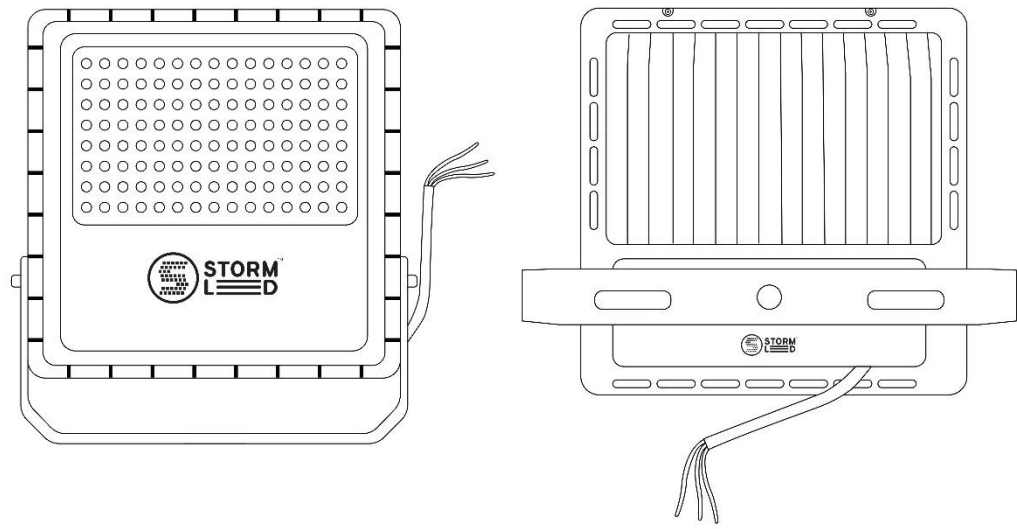


LED FLOOD LIGHT INSTALLATION GUIDE



Voltage	AC 100 – 277 V
Protection Class	Class I
Power Factor	>0.95
Operating Temp	-40°C ~ 60°C
Housing	DIA CAST Aluminum
Housing Color	Dark Gray
IP rating	IP66
IK rating	IK08
Lifetime span @ 25°C	> 50,000 h
Warranty	5 years

Model	Nominal Wattage W	Fixture Dimensions mm	Fixture Weight Kg
SOM-SL-FL-011-100W	100	290*280*490	2.9
SOM-SL-FL-012-150W	150	330*320*600	4.55
SOM-SL-FL-013-200W	200	360*350*650	5.36
SOM-SL-FL-013-250W	250	360*350*650	5.53

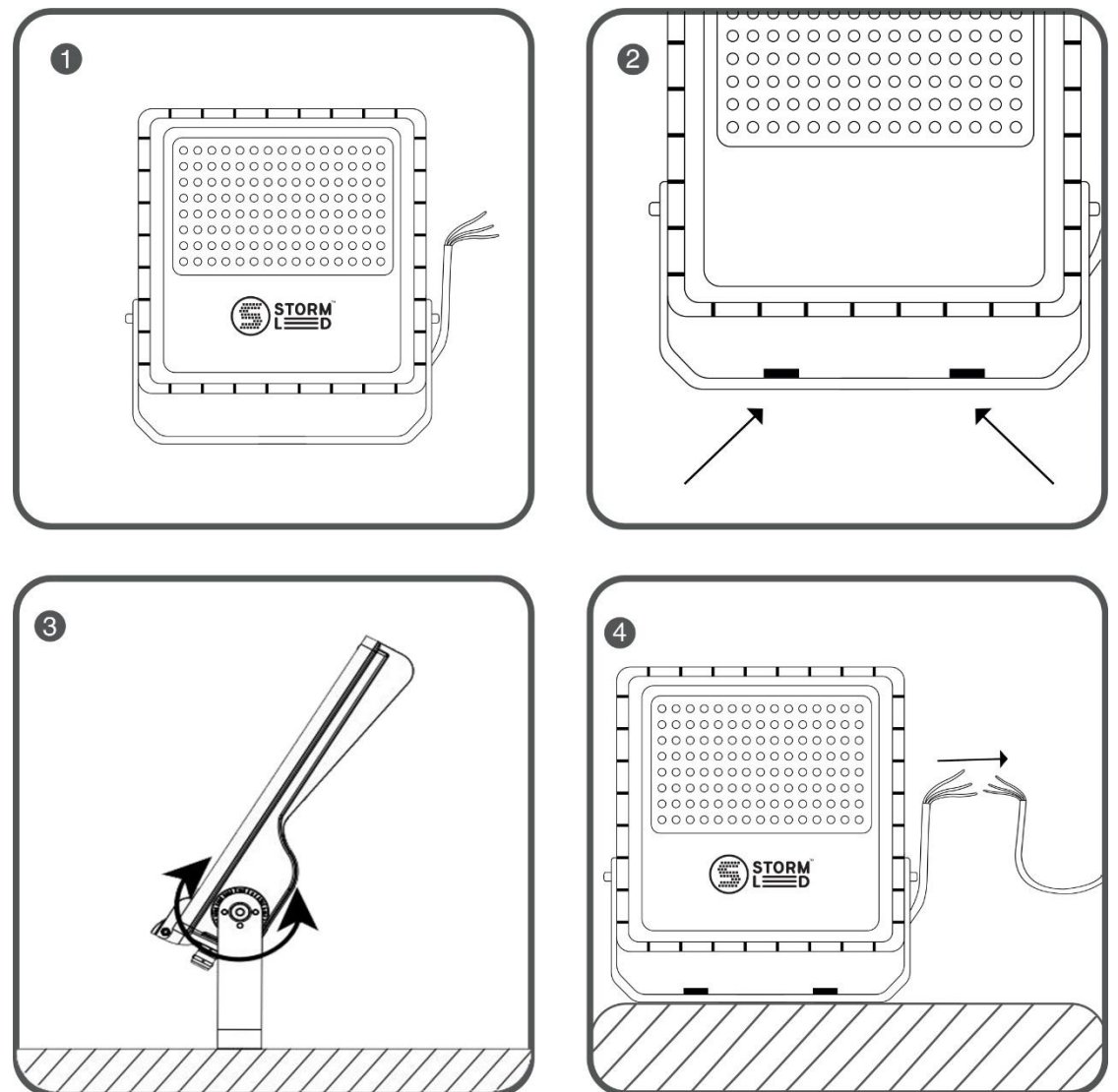
STEP 1: open the package and check the product, in case of any damage, contact us.

STEP 2,3: Adjust the flood light to direct the light in the desired direction before tightening the screws of the holder as shown in figure 2,3.

STEP 4: connect the lamp with wire from pole (corresponded L, N, GND lines), then switch the power on and check to see the flood light works properly.

STEP5: the installation is completed as shown below.

Installation & Connection Instruction



CAUTION

- Installation and maintenance must be performed by professionals only.
- Please ensure the pole is strong enough and screws are tightened.
- The ground wire must be securely connected.
- Please make sure the lamp is working with the correct input voltage.

- Cut off the power before maintenance.
- Do not use chemicals or corrosive cleaner to clean the fixture.
- If the external flexible cable or cord of this luminaire is damaged, it shall be exclusively replaced by qualified person in order to avoid a hazard.