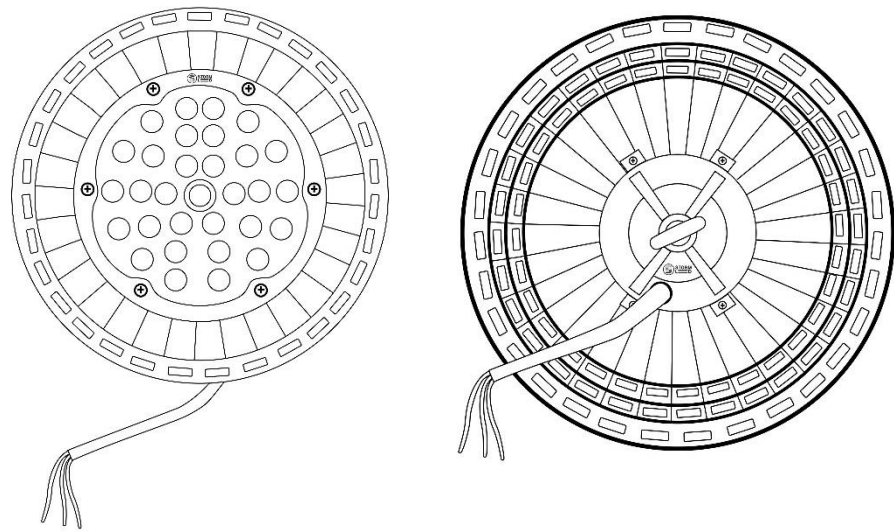


LED HIGH-BAY LIGHT

INSTALLATION GUIDE



Voltage	AC 100 – 277 V
Protection Class	Class I
Power Factor	>0.95
Operating Temp	-40°C ~ 60°C
Housing	DIA CAST Aluminum
Housing Color	Black
IP rating	IP66
IK rating	IK08
Lifetime span @ 25°C	> 50,000 h
Warranty	5 years

Model	Nominal Wattage W	Fixture Dimensions mm	Fixture Weight Kg
SOM-SL-HB-UFO-100W	100	Φ305*120	3.2
SOM-SL-HB-UFO-150W	150	Φ365*125	4.86
SOM-SL-HB-UFO-200W	200	Φ415*130	6.12
SOM-SL-HB-UFO-250W	250	Φ415*130	6.12

Installation & Connection Instruction

STEP 1: open the package and check the product, in case of any damage, contact us.

STEP 2: fix the spring washer to the driver.

STEP 3: take the steel rope or chain through the ring.

STEP5: the installation is completed as shown below.

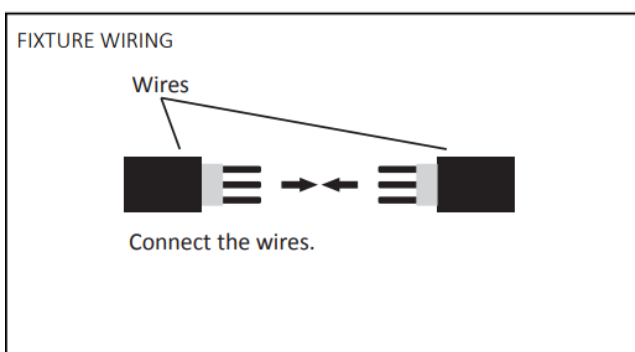
Electrical connection – 100/277 V AC, 50/60 HZ

STEP 1: Make the following Electrical Connections.

- Connect the **input ground** conductor to **green ground conductor** of LED driver.
- Connect the **input voltage** conductor to **brown live conductor** of LED driver
- Connect the **input neutral** conductor to **blue neutral conductor** of LED driver.

STEP 2: make sure all the connections are correct.

STEP 3: if the fixture without a terminal block, please insulate the electrical connections with wire nuts suitable for at least 90°C



CAUTION

- This product can be used in a wide range of places, such as workshop, warehouse, parking garage, area lighting, etc.
- To avoid possibility of electrical shock, turn off the power supply before installation.
- Installation should be performed by qualified personnel.

